

MACH Series 4060f

Non-Electric, High Performance Combination Whole House Water Filter

OVERDRIVE[®]
ENHANCED

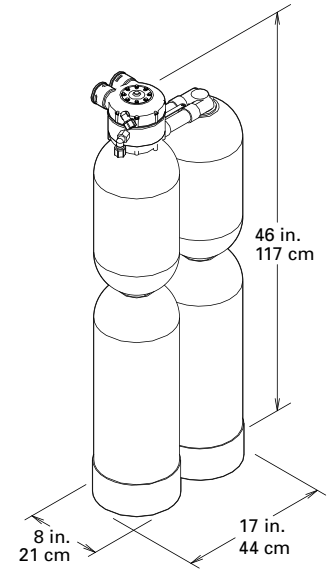


Kineticco Advantages

- Maximum Flow of Filtered, Dechlorinated Water 24 Hours a Day, Every Day
- Simple, Reliable and Economical Operation
- Quad Tank Design
- Certified Performance
- Installation and Service by Trained Water Treatment Professionals

What Makes The Kineticco MACH Overdrive Enhanced 4060f Different?

1. **Non-Electric Operation.** Reliable. No timers or computers to set, adjust, repair or replace.
2. **Metered, Demand Service.** Eliminates guesswork, water waste and problem water breakthrough.
3. **Quad Tank System.** Separate media tanks combine two systems into one. Continuous availability of filtered, dechlorinated water. Saves money and space. Simplifies maintenance.
4. **Overdrive Enhanced.** All tanks are in service simultaneously. Increases performance, efficiency, flow rate and media life.
5. **High Flow Rate.** System keeps up with the conditioned water needs of today's demanding households.
6. **Large Porting Size.** Perfectly suited for larger plumbing found in many homes. Up to 1 1/2 inch.
7. **Efficient Filtering Capabilities.** Assures continuous, high quality, filtered water. Uses exclusive Macrolite® Ceramic Media for removal of very fine particulate matter to protect plumbing, appliances, fixtures and clothing.
8. **Effective Chlorine Reduction.** Activated Carbon adsorbs objectionable tastes, odors and chlorine from water. Reduces drying of hair and skin from chlorine.
9. **Efficient Use of Water.** Compact media beds require less backwash water for reduced water consumption.
10. **Corrosion-Resistant Valve and Tanks.** Long lasting. Can endure harsh environments.
11. **Clean Water, Countercurrent Regeneration.** Increases product efficiency and water quality.
12. **Automatic Operation.** Virtually no maintenance or guesswork.
13. **Outstanding Warranty.** Dependability, peace of mind.
14. **Third-Party Certification.** Added assurance.



Kineticco makes a complete line of water treatment products for total water management. Consult your authorized Kineticco dealer for a water analysis and product recommendation.

Third-Party Certification

The majority of Kineticco products are certified by third party labs such as NSF and WQA. To further ensure consumer confidence, several of our models are certified by two or more of these independent labs, which is unprecedented in the industry. For specific claims and certifying labs, refer to performance data sheets or consult your local Kineticco dealer.

*Information on the performance characteristics of Purefecta® can be found at www.epa.gov/etv or call 1.440.564.9111 for a copy of the ETV verification report. Use of the ETV name or logo does not imply approval or certification of this product nor does it make any explicit or implied warranties or guarantees as to product performance.

