

MACH® Series 2060s

Non-Electric, High Performance Water Conditioning System



Kineticco Advantages

Conditioned Water 24 Hours a Day, Every Day

Simple, Reliable and Economical Operation

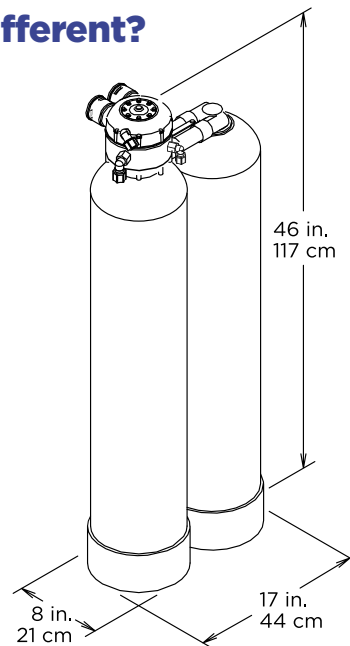
Certified Performance

Installation and Service by Trained Water Treatment Professionals

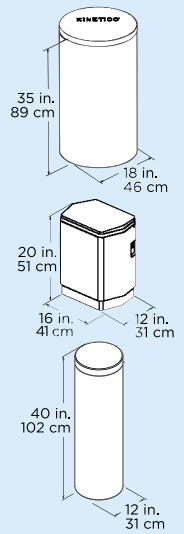
What Makes The Kineticico MACH Series 2060s Different?

1. **Non-Electric Operation.** Reliable, no timers or computers to set, adjust, repair or replace.
2. **Metered, Demand Service.** Unlimited supply of clean, soft water. Eliminates guesswork, water and regenerant waste, and hard water breakthrough.
3. **Twin Tank System.** Unlimited supply of clean, conditioned water. Enables system to regenerate with clean, conditioned water.
4. **High Flow Rate.** System keeps up with the conditioned water needs of today's demanding households.
5. **Large Porting Size.** Perfectly suited for larger plumbing found in many homes. Up to 1 1/2 in.
6. **Efficient Hardness Removal.** Assures consistent and continuous clean, soft water. Saves money on soaps and cleaners. Protects plumbing and appliances.
7. **Effective Iron Removal.** Removes soluble iron* from water.
8. **Fresh Resin Zone.** Enhances system cleaning and adds a final polish to water. Maintains top performance.
9. **High Quality Resin.** Long life, high capacity to assure quality water.
10. **Efficient Use of Water and Regenerant.** Low water consumption. Less money spent on regenerant.
11. **Corrosion-Resistant Valve and Tanks.** Long lasting. Can endure harsh environments.
12. **Soft Water, Countercurrent Regeneration.** Increases product efficiency and water quality.
13. **Automatic Operation.** Just add regenerant.
14. **Outstanding Warranty.** Dependability, peace of mind.
15. **Third-Party Certification.** Assures performance and integrity.

*Iron removal capabilities are dependent on the type and concentration of iron as well as your water's other conditions.



Brine Tank Options:



Kineticico makes a complete line of water treatment products for total water management. Consult your authorized Kineticico dealer for a water analysis and product recommendation.

Third-Party Certification

The majority of Kineticico products are certified by third-party labs such as NSF and WQA. To further ensure consumer confidence, several of our models are certified by two or more of these independent labs, which is unprecedented in the industry. For specific claims and certifying labs, refer to performance data sheets or consult your local Kineticico dealer.



* Information on the performance characteristics of Purefecta[®] can be found at www.epa.gov/etv or call 1.440.564.9111 for a copy of the ETV verification report. Use of the ETV name or logo does not imply approval or certification of this product nor does it make any explicit or implied warranties or guarantees as to product performance.